

## ● PRECAUTIONS

***Please read the safety and care instructions below before use:***

- If the product is damaged or faulty, please contact our customer service department. Don't disassemble, or attempt to repair it yourself.
- Make sure the power cord isn't twisted, stretched, or in contact with sharp or hot objects. Don't place pressure on, cut, or attempt to repair the power cord.
- Discontinue use immediately if the cord or adaptor is damaged or loose.
- If there is abnormal noise, smoke, or smell it may indicate a faulty adaptor. In this case, unplug diffuser and discontinue use.
- Never wrap the adaptor with cloth or paper, as blocking the ventilation could increase the risk of fire.
- Don't plug in the adaptor in wet areas such as the bathroom.
- Use in a well-ventilated place.
- Keep out of reach of children.
- If you are pregnant, nursing or suffering from allergies, asthma or similar diseases, please consult a health care professional or doctor before use.
- In case of adverse respiratory reactions, please stop using the diffuser immediately.
- Do not move diffuser while in operation.
- Make sure the mist outlet is not blocked.
- Keep out of reach of children, pets, or any person with reduced physical, sensory, or mental capabilities.
- Never use the unit with another AC adapter.
- Keep cords clear of walkways and do not forcefully unplug the unit from the electrical outlet.
- Do not turn on the unit when there is no water in the tank, or the cover is off.
- Always place the cover on when the unit is ready for use and turned on.
- We recommend you use the measuring cup (included) to fill the tank.
- To prevent water entering the base or the air outlet, do not place the water tank under a water faucet or direct water source.
- Do not fill the water tank above the "Max" line indicated on the side of the water tank.
- For best results, use filtered or distilled water. Do not use mineral water, sparkling water, or other liquids.
- Do not touch the ultrasonic vibration plate.
- Clean and maintain the unit regularly as stated in the maintenance section.

- Always unplug the AC adapter from the electrical outlet when not in use or during cleaning.
- Keep the unit clean and dry when not in use, to prevent mold.
- Some essential oils can stain the tank and cover. The mist may also stain surrounding areas. Please check with the essential oil manufacturer prior to use in the diffuser.
- Do not place the unit near furniture, clothing, walls, etc. during use.
- Keep the unit away from direct sunlight, heat sources, air conditioner, or fans.
- Always keep the unit on a flat and stable surface. Do not place on top of carpets, rugs, or any unstable area.
- Keep away from any electronic device or equipment such as phone, TV, or appliances.
- Do not tip the product over. This may cause water to enter the inside of the base and damage the internal electronics.
- We recommend using the unit for a maximum of 6 hours and then wait at least one hour to restart the unit.
- Adult supervision is required when used in close proximity to children.

## ● TROUBLESHOOTING

***If your diffuser is not working properly, please refer to the troubleshooting guide below before contacting customer service:***

Fault	Possible Causes
Will not switch on or off or turns off automatically after one second	<ul style="list-style-type: none"> <li>● Water level in the tank is too low and needs refilling.</li> <li>● Check and make sure the AC adapter is properly connected to the base and electrical outlet.</li> </ul>
No mist or abnormal mist	<ul style="list-style-type: none"> <li>● Water level in the tank is too low and needs refilling.</li> <li>● Water level in tank exceeds the maximum line. Remove some water.</li> <li>● Ultrasonic plate may need cleaning.</li> <li>● Make sure the covers are properly placed on top of the base.</li> <li>● Ensure the air intake is not covered with dust.</li> </ul>
Water leakage from the unit	<ul style="list-style-type: none"> <li>● Properly place the covers on the base.</li> <li>● Confirm there are no blockages in the mist output opening on the cover.</li> <li>● Make sure the unit is not cracked. If it is, turn it off and contact the manufacturer.</li> <li>● Low temperature or high humidity may cause increased condensation.</li> </ul>

Release the purity of essential oils with Wai Lana's specially crafted Yogaroma Ceramic Diffuser.



Water



air



plants



mood



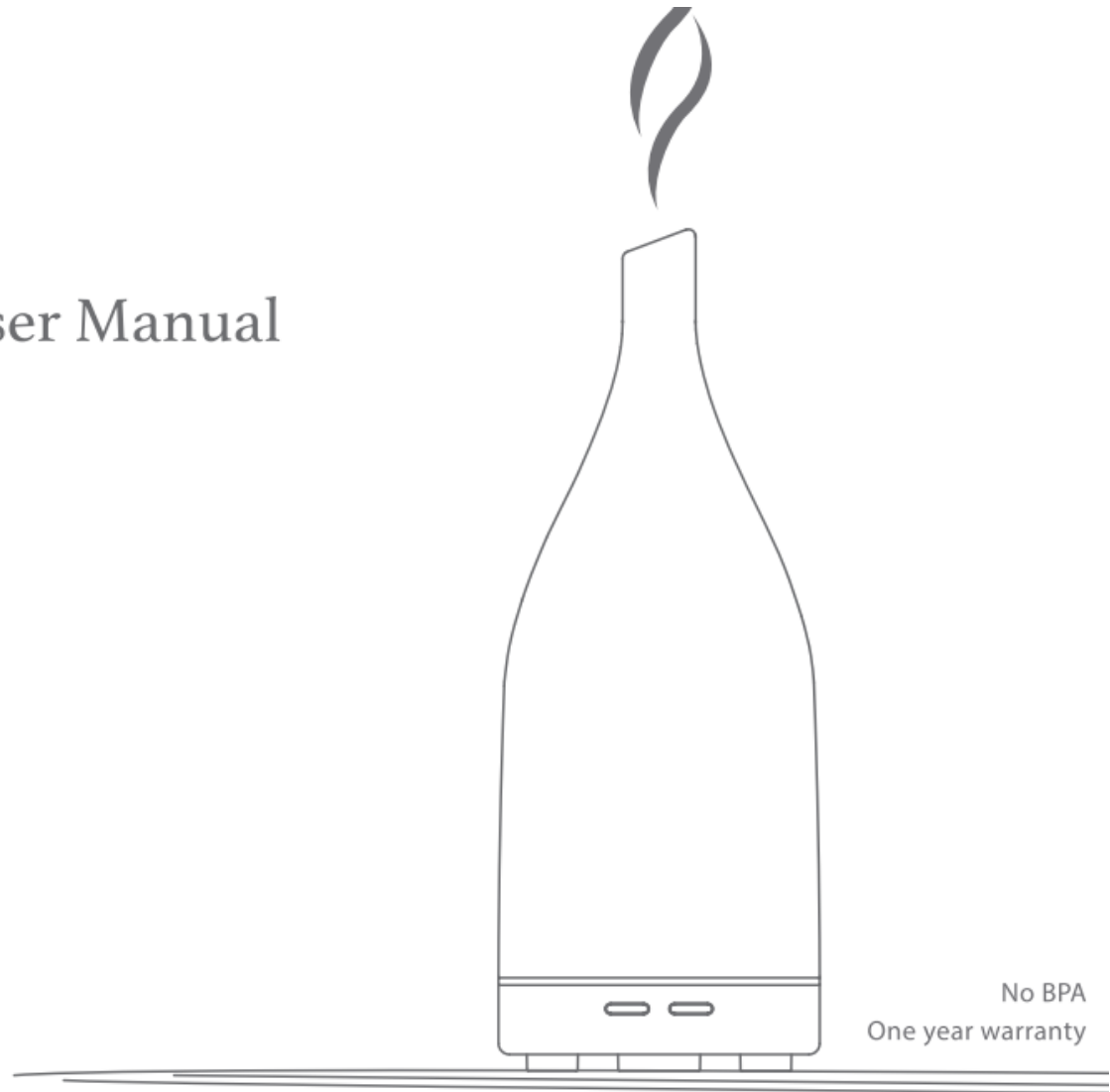
household

Use with Wai Lana's Organic New Zealand Alpine Lavender Oil to help relieve stress, tension, and anxiety, and to induce restful sleep

# YOGAROMA™

Ceramic Diffuser User Manual

*Wai Lana®*



No BPA  
One year warranty

## ● SPECIFICATION

Product Size	88mm(D)×230mm(H)
Net Weight	About 350g
Voltage	Input/ Output AC100-240V 50/60Hz / DC 24V
Power Output	About 12W
Working Mode	Continuous spray/Intermittent spray (30 seconds on / 30 seconds off)
Capacity	100ml
Mist Amount	20-30ml/h
Material	Polypropylene (PP) + Ceramic
Ultrasonic Rate	2.4MHz
Accessories	AC power adaptor, Measuring cup, User manual

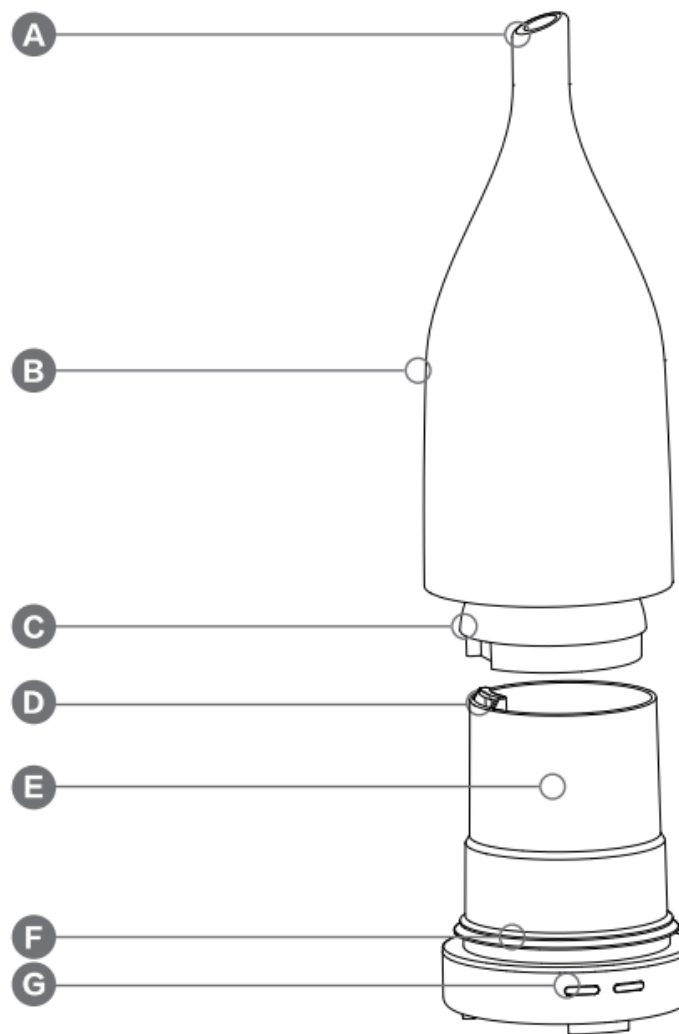
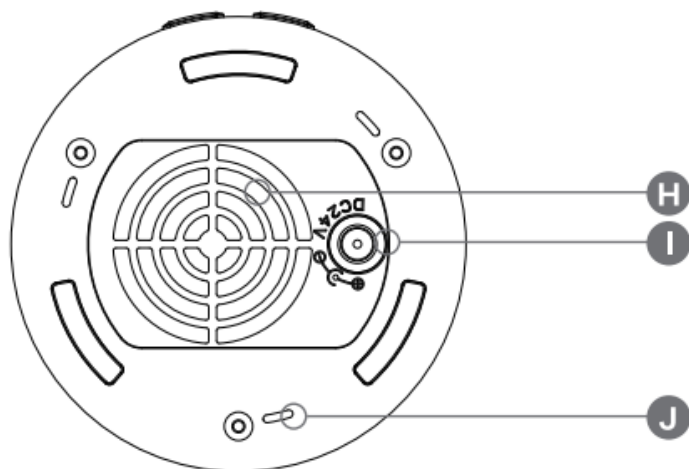
***This Yogaroma Ceramic Diffuser uses ultrasonic waves to vaporize water and essential oils, producing an ultrafine, cool, fresh, fragrant mist.***

## ● How to use with essential oil:

- Please read the instruction manual and the essential oil label before use.
- Fill water to the "Max" water line.
- Add 5-7 drops of essential oil.
- Turn on the ceramic diffuser and set the mode according to your preference.

## ● PRODUCT DIAGRAM

- |                     |                      |
|---------------------|----------------------|
| A. Mist Outlet      | F. Base              |
| B. Body Cover       | G. Operation Buttons |
| C. Water Tank Cover | H. Air Intake        |
| D. Air Outlet       | I. DC Socket         |
| E. Water Tank       | J. Water Outlet      |



## ● OPERATION

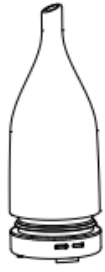


FIG 1



FIG 2



FIG 3



FIG 4



FIG 5



FIG 6

1. Place unit on a flat surface. Remove the water tank cover. (FIG 1)
2. Connect the AC adapter to the base. (FIG 2)
3. Fill the water tank using the measuring cup included (Do not put water above the "Max" line).  
We recommend using distilled or filtered water for best results.
4. Add 5 - 7 drops of essential oils.
5. Replace the water tank cover.
6. Install the cover of the main body of the diffuser. (FIG 4)
7. Make sure there is no water on the outside or around the aroma diffuser or the electrical cord.
8. Connect the AC adapter to the electrical outlet.
9. Select mist setting:  
Right Side - Mist Setting: (FIG 5)  
1st Press: Continuous mist (~3 hours).  
2nd Press: 30 secs on/30 secs off Intermittent mist (~6hours).  
3th Press: Turn off the mist.
10. Select light setting:  
Left Side - Light Setting: (FIG 6)  
1st Press: Bright warm light.  
2nd Press: Soft warm light.  
3rd Press: Turn off the light.

## ● ATTENTION

- If you do not use it for a long time, please drain the water from tank, dry, and store it safely.
- The diffuser will automatically shut off when the unit is out of water.
- The amount and intensity of mist produced will vary, but this is not unusual and should not be considered as a fault. Factors that affect this include water type, humidity, temperature, and air currents.

## ● MAINTENANCE

Essential oils are corrosive and, over time, they build up on the atomizing plate. So, we recommend that you clean the unit after using 5-6 times or after 3-5 days.

1. Unplug the AC adapter from the unit.
2. Pour out any remaining water from the tank.
3. Place the unit on a flat surface.
4. Add a small amount of water and distilled vinegar in the tank.
5. Use a soft cloth towel and gently clean the tank. You may also use mild liquid soap.
6. Use a small cotton swab to clean hard to reach areas if necessary.

**Caution:** Do not use harsh chemicals or cleansers which may contain enzymes or acid which could damage the unit.

## ● ACCIDENTAL LEAKAGE

In the event of the unit being knocked over or tipped during usage, please follow the instructions below:

1. Unplug the unit and remove the cover.
2. Pour any remaining water from the water tank.
3. Shake the unit gently to drain any water inside the mechanism, and then allow it to dry for at least 24 hours.